

人孔

MAN HOLE COVER(MANWAY)

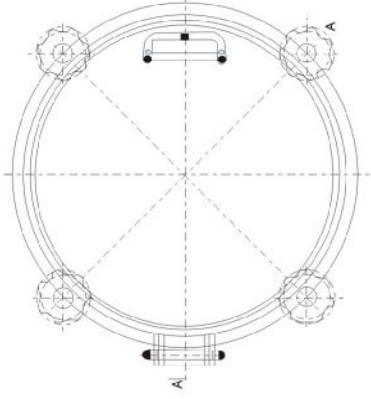
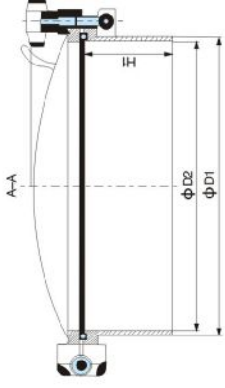


压力人孔

PRESSURE MAN HOLE COVER

应用 Applications

- 该压力型人孔主要应用在食品、酿酒、饮料、制药等工业领域压力容器上。
- Manihole cover (with pressure) is mainly used for pressure vessel in the fields of food, beverage, chemical, etc.



设计和特点 Design and features

- 外开式人孔盖子
- 带法兰式窥视镜塑料手柄或不锈钢手柄
- 由任式窥视镜
- 内表面: Ra0.8 μm -0.5 μm
- 外表面: 抛光处理、亚光处理、喷砂处理
- 工作压力: 2-5bar
- 垫圈: EPDM、NBR、SILICON、EPM符合FDA117.1600
- 高度: 100、120、150
- 材质: AISI304(1.4301)/316L(1.4404)
- Outward opening manhole cover
- Plastic wheel or stainless steel wheel
- Sight glass with flange
- Union type sight glass
- Internal surface: Ra0.8 μm -0.5 μm
- Outside surface: Polishing finished, matt finished and sand-blasting finished.
- Working pressure: 2-5bar
- Gasket: EPDM, NBR, SILICON, FPM in accordance with FDA177.1600
- Height: 100, 120, 150mm
- Material: AISI304(1.4301)/316L(1.4404)

NO.2104001

SIZE	H1	D1	D2
Φ200	100	200	194
Φ220	100	220	214
Φ300	100	300	294
Φ350	100	350	344
Φ400	100	400	394
Φ450	100	450	444
Φ500	100	500	494
Φ600	100	600	594

高度(H1)可制作成120mm, 150mm等, 壁厚可以制作1MM或其它的壁厚; 手柄数量也可根据客户要求改变。

Height (H1) can be customized to 120mm, 150mm, etc. The thickness can be customized to 4mm or other sizes. The amount of handles can be as per customers request.



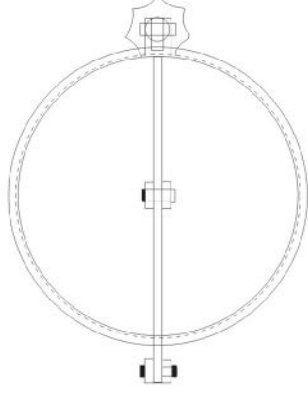
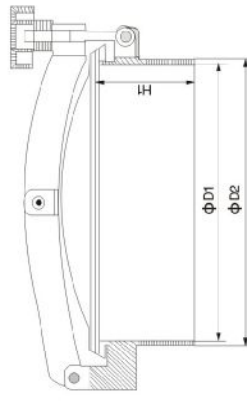
该款设计可根据用户
特殊要求定制高压, 10bar
pressure can be 10bar for this design

圆型人孔

ROUND MAN HOLE COVER

应用 Applications

- 该人孔主要应用在食品、酿酒、饮料、制药等工业领域罐设备上。
- The manhole cover is mainly used for tanks in the fields of food, beverage, chemical, etc.



设计和特点 Design and features

- 外开式人孔盖子
- 塑料手轮或不锈钢轮
- 内表面: Ra0.8 μm -0.5 μm
- 外表面: 抛光处理、亚光处理、喷砂
- 垫圈: EPDM、NBR、SILICON、EPM符合FDA117.2600
- 高度: 100、120、150mm
- 材质: AISI304(1.4301)/316L(1.4404)
- Outward opening man hole cover
- Plastic wheel or stainless steel wheel
- Internal surface: Ra0.8 μm -0.5 μm
- Outside surface: Polishing finished, matt finished and sand-blasting finished
- Gasket: EPDM, NBR, SILICON, FPM in accordance with FDA177.2600
- Height: 100, 120, 150mm
- Material: AISI304(1.4301)/316L(1.4404)

NO.2104002

SIZE	H1	D1	D2
ϕ 200	100	200	194
ϕ 220	100	220	214
ϕ 300	100	300	294
ϕ 350	100	350	344
ϕ 400	100	400	394
ϕ 430	100	430	424
ϕ 450	100	450	444
ϕ 500	100	500	494
ϕ 600	100	600	594

高度(H1)可制作成120mm, 150mm等, 壁厚可根据客户要求改变;
Height (H1) can be customized to 120mm, 150mm, etc. The thickness can be as per customers request

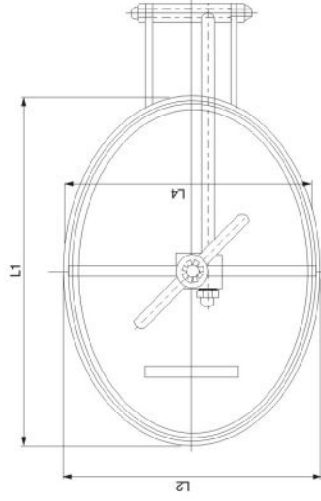
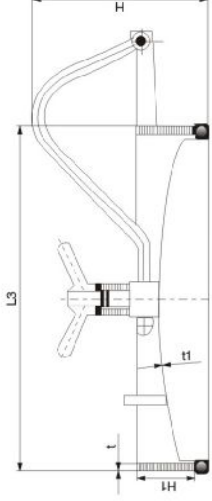


椭圆形人孔

ELLIPTICAL MAN HOLE COVER(OVAL MAN WAY)

应用 Applications

- 该人孔主要应用在食品、酿酒、饮料、制药等工业领域罐设备上。
- The manhole cover is mainly used for tanks in the fields of food, beverage, chemical, etc.



设计和特点 Design and features

- 内开式人孔盖子
- 扳手式手柄，手轮式手柄
- 内表面：Ra0.8 μm -0.5 μm
- 外表面：抛光处理、亚光处理、喷砂处理
- 最大压力：0.5-3.0bar
- 垫圈：EPDM、NBR、SLICON、EPM符合FDA117.2600
- 高度：75、100、120、150mm
- 材质：AISI304(1.4301)/316L(1.4404)
- Inward opening man hole cover
- Spanner type handle, wheel handle
- Internal surface: Ra0.8 μm -0.5 μm
- Outside surface: Polishing finished, matt finished and sand-blasting finished
- Max. Pressure: 0.5-3.0bar
- Gasket: EPDM, NBR, SILICON, FPM in accordance with FDA117.2600
- Height: 75, 100, 120, 150mm
- Material: AISI304(1.4301)/316L(1.4404)

NO.2104003

SIZE	H1	L3	L4	T
435 x 335	75	435	335	8.0
530 x 430	100	530	430	10.0
635 x 525	160	635	344	10.0

高度(H1)可根据客户要求；壁厚可根据客户要求；
Height (H1) and the thickness can be as per customers request.



方型人孔

SQUARE MAN HOLE COVER(RECTANGUAR MANWAY)

应用 Applications

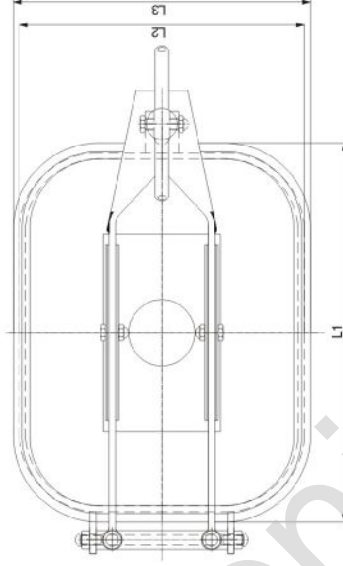
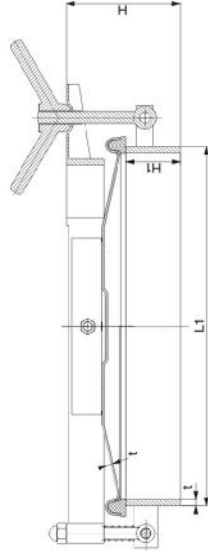
- 该人孔主要应用在食品、酿酒、饮料、制药等工业领域罐设备上。
- The manhole cover is mainly used for tanks in the fields of food, beverage, chemical, etc.



SIZE: 425x335



SIZE: 535x435



设计和特点 Design and features

- 外开式人孔盖子
- 扳手式手柄，手轮式手柄
- 内表面：Ra0.8 μm -0.5 μm
- 外表面：抛光处理、亚光处理、喷砂处理
- 最大压力：0.2-1.0bar
- 垫圈：EPDM、NBR、SLICON、FPM符合FDA117.2600
- 高度：65、80、100、120、150mm
- 材质：AISI304(1.4301)/316L(1.4404)
- Outward opening man hole cover
- Spanner type handle, wheel handle
- Internal surface: Ra0.8 μm -0.5 μm
- Outside surface: Polishing finished, matt finished and sand-blasting finished
- Max. Pressure: 0.2-1.0bar
- Gasket: EPDM, NBR, SILICON, FPM in accordance with FDA177.1600
- Height: 65, 80, 100, 120, 150mm
- Material: AISI304(1.4301)/316L(1.4404)

NO.2104004

SIZE	H1	L1	L2	T
235 x 185	65.0	235	185	8.0
425 x 335	65.0	425	335	8.0
535 x 435	65.0	535	435	8.0

高度(H1)可根据客户要求；壁厚可根据客户要求；
Height (H1) and the thickness can be as per customers request.



SIZE: 235 x 185mm

注意：标准设计为非压力，如需压力请说明。

Note: The standard design for non-pressure for Pressure Please explain.